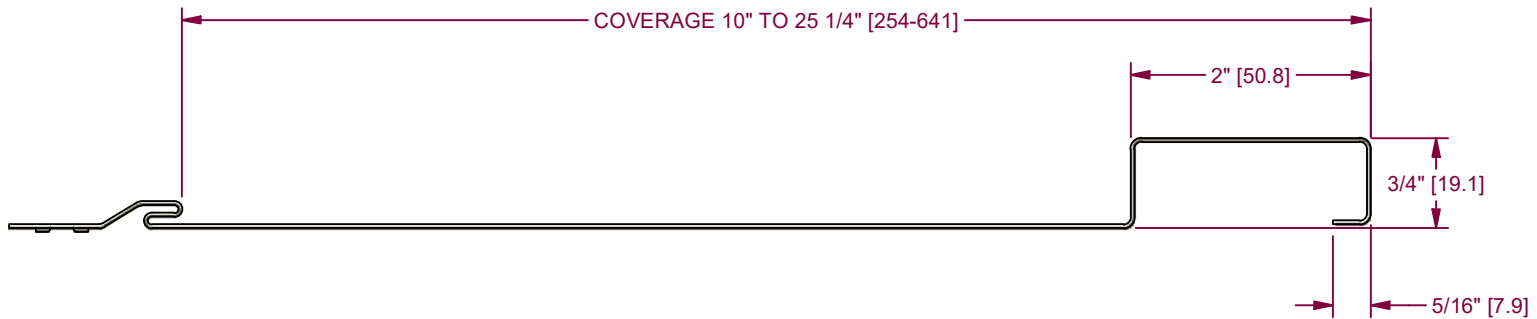
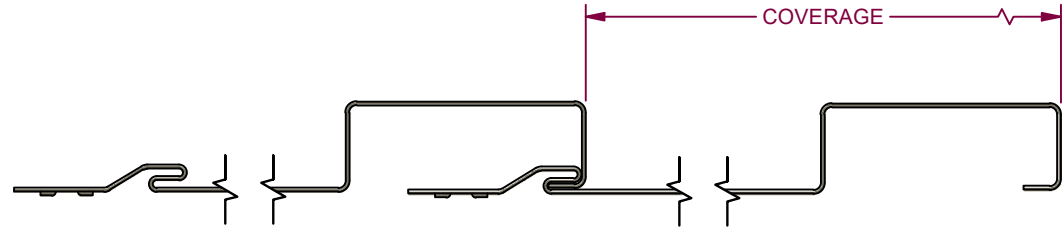
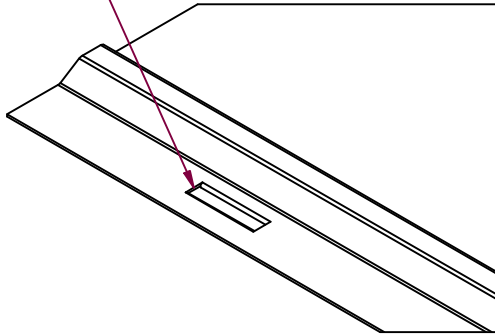


1" x 3/16" SLOT SPACED EVERY 6 3/8"
(THESE TOLERANCES ARE ±1/16")



NOTES:

1. MATERIAL USAGE = 3 5/8" APPROX.
2. MATERIALS FORMED:
 - 26GA AND 24GA GRADE 50 STEEL
 - .027" AND .032" ALUMINUM



ADDED DUAL DIMENSIONS
UPDATED SLOT WIDTH
VERIFIED MATERIALS

3. DIMENSIONS IN BRACKETS
ARE mm AND ARE PROVIDED
FOR REFERENCE ONLY.

MATERIAL				FINISH					
SEE NOTE						BOARD AND BATTEN PROFILE			
REVISION HISTORY	REV	ECR NO.	DATE	RELEASED BY	TOLERANCES	DRAWN BY	PART NAME		
	1	NONE	2/28/2023	AJB	.XX = ± .01 .XXX = ± .005	AJB	BOARD AND BATTEN PROFILE		
					FRACTION = ± 1/32"	ECR NO.	PART NUMBER		
					ANGLE = ± 1/2°	NONE	BB7-750P		
						RELEASED BY	SHEET		
					AJB	1 OF 1			
					RELEASE DATE	REVISION			
					9/13/2022	1			